

SILICON BRIDGE RECTIFIERS

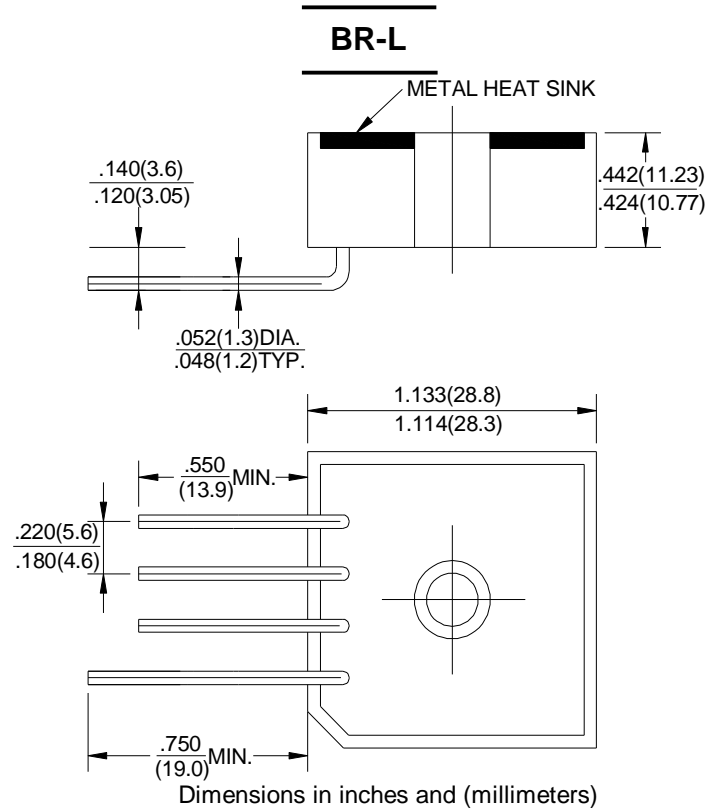
REVERSE VOLTAGE - 50 to 1000 Volts
FORWARD CURRENT - 50 Amperes

FEATURES

- Plastic case with heatsink for heat dissipation
- Surge overload -500 Amperes peak
- The plastic package has UL flammability classification 94V-0

MECHANICAL DATA

- Case: Molded plastic with heatsink integrally mounted in the bridge encapsulation
- Weight: 1 ounce, 30 grams.
- Mounting position: Any
- Terminals: Wire Lead Φ 50 mils.



MAXIMUM RATINGS AND ELECTRICAL CHARACTERISTICS

Rating at 25°C ambient temperature unless otherwise specified.

Single phase, half wave, 60Hz, resistive or inductive load.

For capacitive load, derate current by 20%

CHARACTERISTICS	SYMBOL	BR 5005L	BR 501L	BR 502L	BR 504L	BR 506L	BR 508L	BR 5010L	UNIT
Maximum Recurrent Peak Reverse Voltage	V _{RRM}	50	100	200	400	600	800	1000	V
Maximum RMS Bridge Input Voltage	V _{RMS}	35	70	140	280	420	560	700	V
Maximum DC Blocking Voltage	V _{DC}	50	100	200	400	600	800	1000	V
Maximum Average Forward Current for Resistive Load @T _C =55°C	I _(AV)	50							A
Peak Forward Surge Current 8.3ms Single Half Sine-Wave Super Imposed on Rated Load	I _{FSM}	500							A
Maximum Forward Voltage Per Bridge Element at 25A Peak	V _F	1.1							V
Maximum Reverse Current at Rate @T _J =25°C	I _R	10							μA
DC Blocking Voltage @T _J =100°C		1000							
Typical Thermal Resistance (FIG.3)	R _{θJC}	2.0							°C/W
Operating Temperature Range	T _J	-55 to +150							°C
Storage Temperature Range	T _{STG}	-55 to +150							°C

FIG.1-MAXMUN FORWARD SURGE CURRENT

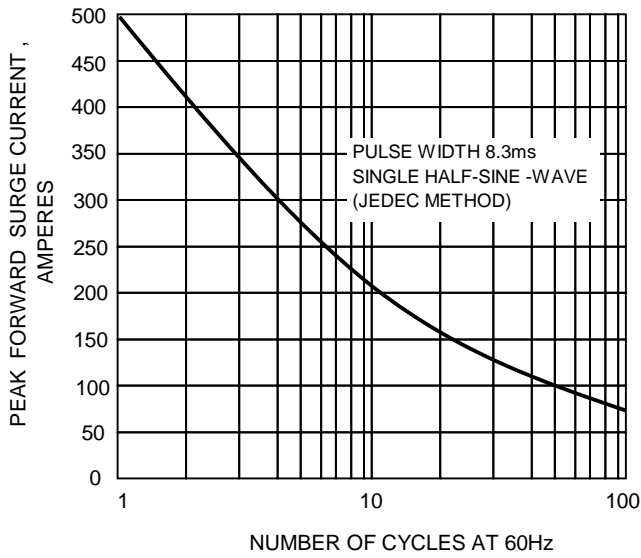


FIG.2- DERATING CURVE OUTPUT RECTIFIED CURRENT

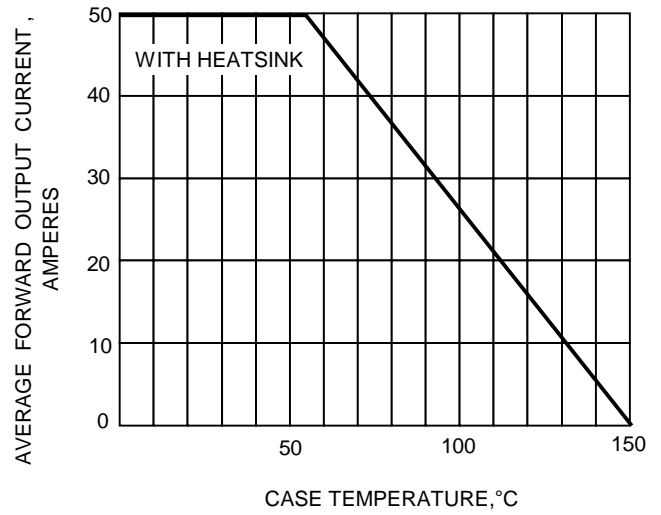


FIG.3-TYPICAL FORWARD CHARACTERISTICS

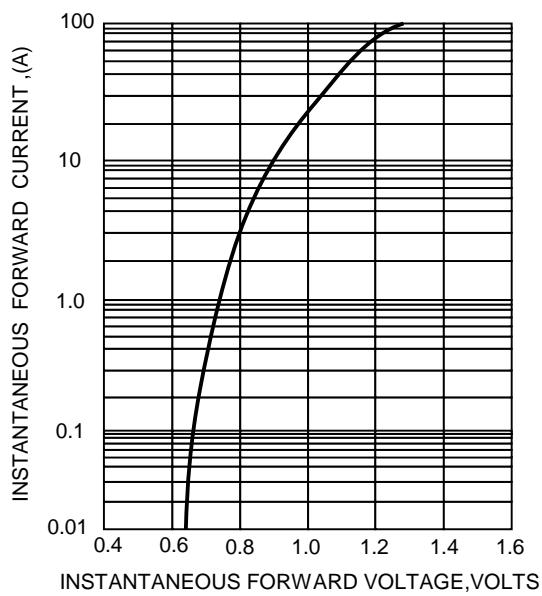


FIG.4-TYPICAL REVERSE CHARACTERISTICS

